



# LED MR16

## 8.5MR16/LED/830/F35/DIM 12V 10/1FB

Philips LED MR-16 lamps with single optic technology provide the look and color quality of traditional halogens while using a fraction of the energy. A perfect fit for spot lighting, they are compatible with most existing fixtures with MR16 GU5.3 holders and are designed as a retrofit replacement for halogen or incandescent spots.

### Product data

| General Information                   |                     |
|---------------------------------------|---------------------|
| Cap-Base                              | GU5.3 [ GU5.3]      |
| EU RoHS compliant                     | Yes                 |
| Nominal Lifetime (Nom)                | 25000 h             |
| Switching Cycle                       | 50000X              |
| Technical Type                        | 8.5-75W             |
| Light Technical                       |                     |
| Color Code                            | 830 [ CCT of 3000K] |
| Beam Angle (Nom)                      | 35 °                |
| Luminous Flux (Nom)                   | 620 lm              |
| Luminous Intensity (Nom)              | 1700 cd             |
| Color Designation                     | White (WH)          |
| Correlated Color Temperature (Nom)    | 3000 K              |
| Luminous Efficacy (rated) (Nom)       | 72.00 lm/W          |
| Color Consistency                     | <4                  |
| Color Rendering Index (Nom)           | 80                  |
| LLMF At End Of Nominal Lifetime (Nom) | 70 %                |
| Operating and Electrical              |                     |
| Input Frequency                       | - Hz                |
| Power (Rated) (Nom)                   | 8.5 W               |

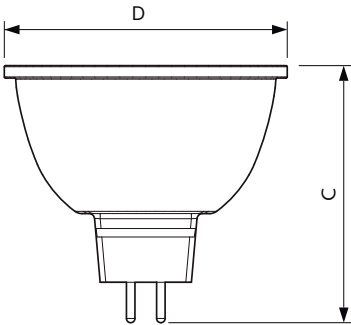
| Lamp Current (Nom)              | 960 mA                             |
|---------------------------------|------------------------------------|
| Wattage Equivalent              | 75 W                               |
| Starting Time (Nom)             | 0.5 s                              |
| Warm Up Time to 60% Light (Nom) | 0.5 s                              |
| Power Factor (Nom)              | 0.7                                |
| Voltage (Nom)                   | ac electronic 12 V                 |
| Temperature                     |                                    |
| T-Case Maximum (Nom)            | 100 °C                             |
| Controls and Dimming            |                                    |
| Dimmable                        | Yes                                |
| Approval and Application        |                                    |
| Energy Efficiency Label (EEL)   | Not applicable                     |
| Suitable For Accent Lighting    | Yes                                |
| Energy Consumption kWh/1000 h   | - kWh                              |
| Product Data                    |                                    |
| Order product name              | 8.5MR16/LED/830/F35/DIM 12V 10/1FB |
| EAN/UPC - Product               | 046677533199                       |
| Order code                      | 533190                             |

# LED MR16

|                                 |              |
|---------------------------------|--------------|
| Numerator - Quantity Per Pack   | 1            |
| Numerator - Packs per outer box | 10           |
| Material Nr. (12NC)             | 929001881704 |

|                    |          |
|--------------------|----------|
| Net Weight (Piece) | 0.052 kg |
|--------------------|----------|

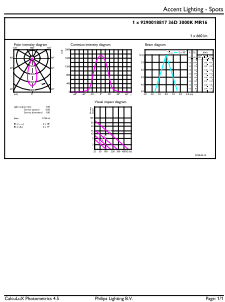
## Dimensional drawing



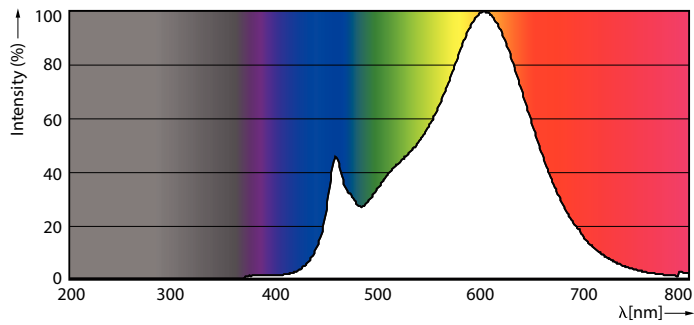
MR16 12V 8-50W 621lm 36D 3000K GU5.3 D

| Product                            | D       | C       |
|------------------------------------|---------|---------|
| 8.5MR16/LED/830/F35/DIM 12V 10/1FB | 50.5 mm | 46.5 mm |

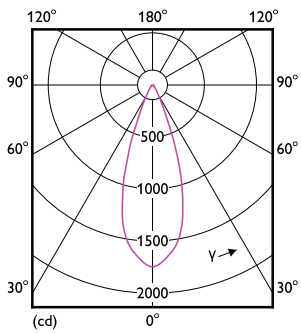
## Photometric data



8-50W GU5-3 MR16 36D 830 3000K



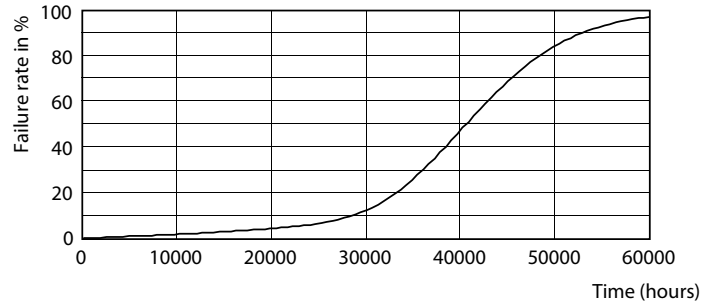
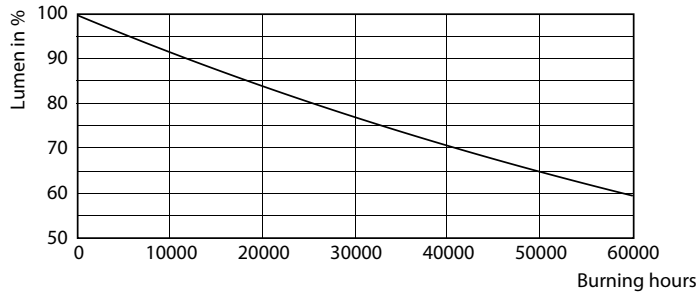
8-50W GU5-3 MR16



8-50W GU5-3 MR16 36D 827 2700K

# LED MR16

## Lifetime



7-50W GU5-3 MR16

7-50W GU5-3 MR16

