



LED MR16

7.8MR16/PER/930/F35/Dim/EC/12V 10/1FB

Philips LED MR-16 lamps with single optic technology provide the look and color quality of traditional halogens while using a fraction of the energy. A perfect fit for spot lighting, they are compatible with most existing fixtures with MR16 GU5.3 holders and are designed as a retrofit replacement for halogen or incandescent spots.

Product data

General Information	
Cap-Base	GU5.3 [GU5.3]
EU RoHS compliant	Yes
Nominal Lifetime (Nom)	25000 h
Switching Cycle	50000X
Technical Type	7.8-50W
Light Technical	
Color Code	930 [CCT of 3000K]
Beam Angle (Nom)	35 °
Luminous Flux (Nom)	480 lm
Luminous Intensity (Nom)	1320 cd
Color Designation	White (WH)
Correlated Color Temperature (Nom)	3000 K
Luminous Efficacy (rated) (Nom)	61.00 lm/W
Color Consistency	<3
Color Rendering Index (Nom)	95
LLMF At End Of Nominal Lifetime (Nom)	70 %
Operating and Electrical	
Input Frequency	- Hz
Power (Rated) (Nom)	7.8 W

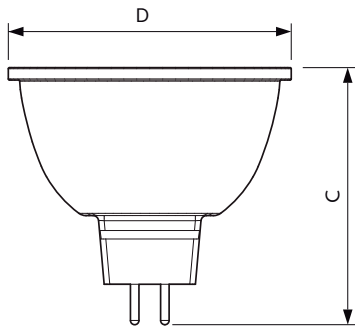
Lamp Current (Nom)	880 mA
Wattage Equivalent	50 W
Starting Time (Nom)	0.5 s
Warm Up Time to 60% Light (Nom)	0.5 s
Power Factor (Nom)	0.7
Voltage (Nom)	ac electronic 12 V
Temperature	
T-Case Maximum (Nom)	105 °C
Controls and Dimming	
Dimmable	Yes
Approval and Application	
Energy Efficiency Label (EEL)	Not applicable
Suitable For Accent Lighting	Yes
Energy Consumption kWh/1000 h	- kWh
Product Data	
Order product name	7.8MR16/PER/930/F35/Dim/EC/12V 10/1FB
EAN/UPC - Product	046677470203
Order code	470203

LED MR16

Numerator - Quantity Per Pack	1
Numerator - Packs per outer box	10
Material Nr. (12NC)	929001873204

Net Weight (Piece)	0.060 kg
--------------------	----------

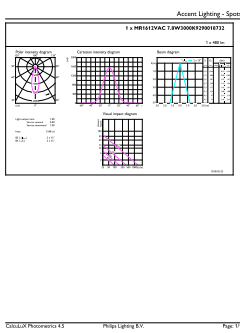
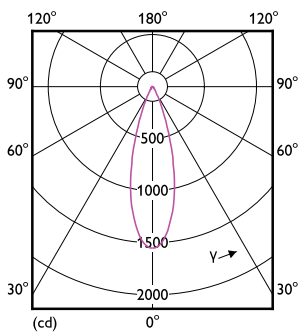
Dimensional drawing



MR16 12V 7.5-50W 480lm 35D 3000K GU5.3 D

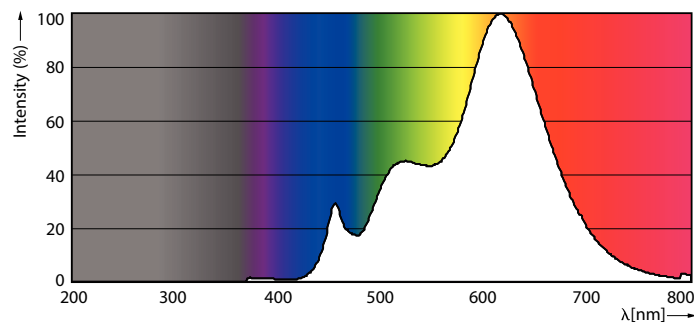
Product	D	C
7.8MR16/PER/930/F35/Dim/EC/12V 10/1FB	51 mm	46 mm

Photometric data



LEDspot 7.8W GU5.3 MR16 927 35D DIM

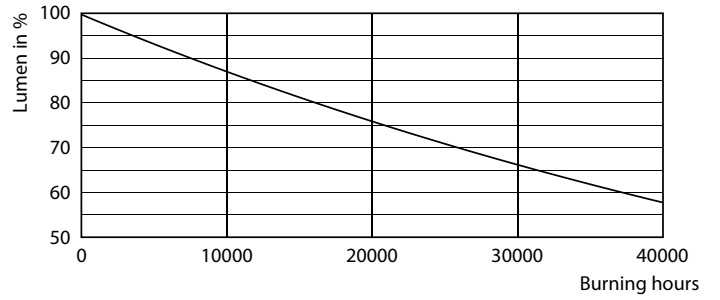
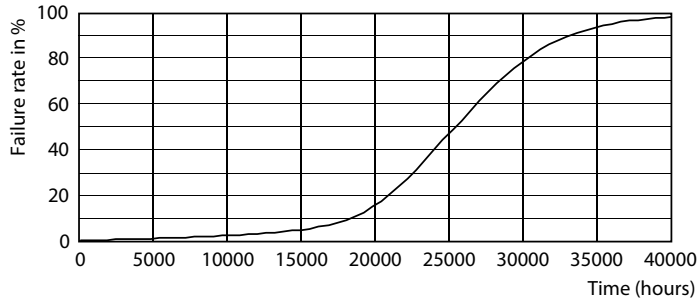
LEDspot 7.8W GU5.3 MR16 930 35D DIM



LEDspot 7.8W GU5.3 MR16 930 10D DIM

LED MR16

Lifetime



LEDspot 7.8W GU5.3 MR16 927 10D DIM

LEDspot 7.8W GU5.3 MR16 927 10D DIM

