



# LED MR16

## 7.8MR16/PER/940/F25/Dim/EC/12V 10/1FB

Philips LED MR-16 lamps with single optic technology provide the look and color quality of traditional halogens while using a fraction of the energy. A perfect fit for spot lighting, they are compatible with most existing fixtures with MR16 GU5.3 holders and are designed as a retrofit replacement for halogen or incandescent spots.

### Product data

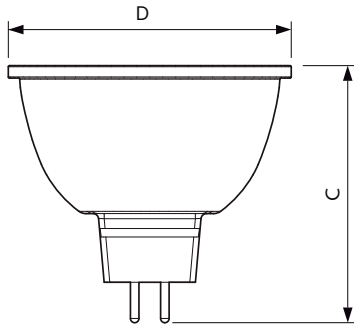
General Information		Lamp Current (Nom)	
Cap-Base	GU5.3 [ GU5.3]	Lamp Current (Nom)	880 mA
EU RoHS compliant	Yes	Wattage Equivalent	50 W
Nominal Lifetime (Nom)	25000 h	Starting Time (Nom)	0.5 s
Switching Cycle	50000X	Warm Up Time to 60% Light (Nom)	0.5 s
Technical Type	7.8-50W	Power Factor (Nom)	0.7
		Voltage (Nom)	ac electronic 12 V
Light Technical		Temperature	
Color Code	940 [ CCT of 4000K]	T-Case Maximum (Nom)	105 °C
Beam Angle (Nom)	25 °		
Luminous Flux (Nom)	540 lm	Controls and Dimming	
Luminous Intensity (Nom)	2600 cd	Dimmable	Yes
Color Designation	Cool White (CW)		
Correlated Color Temperature (Nom)	4000 K	Approval and Application	
Luminous Efficacy (rated) (Nom)	69.00 lm/W	Energy Efficiency Label (EEL)	Not applicable
Color Consistency	<3	Suitable For Accent Lighting	Yes
Color Rendering Index (Nom)	95	Energy Consumption kWh/1000 h	- kWh
LLMF At End Of Nominal Lifetime (Nom)	70 %		
Operating and Electrical		Product Data	
Input Frequency	- Hz	Order product name	7.8MR16/PER/940/F25/Dim/EC/12V 10/1FB
Power (Rated) (Nom)	7.8 W	EAN/UPC - Product	046677470180
		Order code	470187

# LED MR16

Numerator - Quantity Per Pack	1
Numerator - Packs per outer box	10
Material Nr. (12NC)	929001873004

Net Weight (Piece)	0.056 kg
--------------------	----------

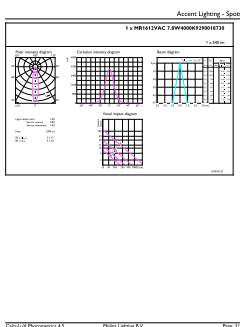
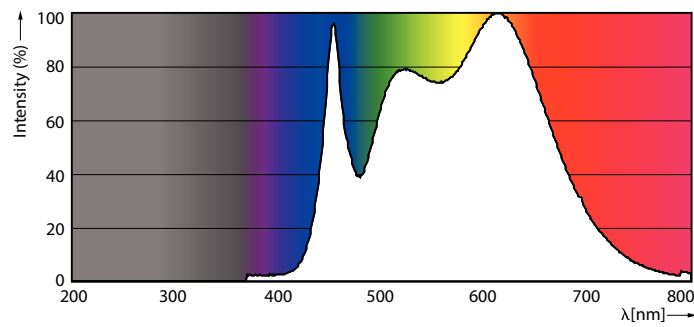
## Dimensional drawing



MR16 12V 7.5-50W 490lm 25D 4000K GU5.3 D

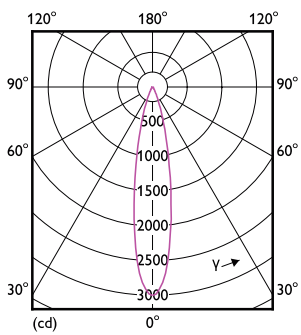
Product	D	C
7.8MR16/PER/940/F25/Dim/EC/12V 10/1FB	51 mm	46 mm

## Photometric data



LEDspot 7.8W GU5.3 MR16 940 10D DIM

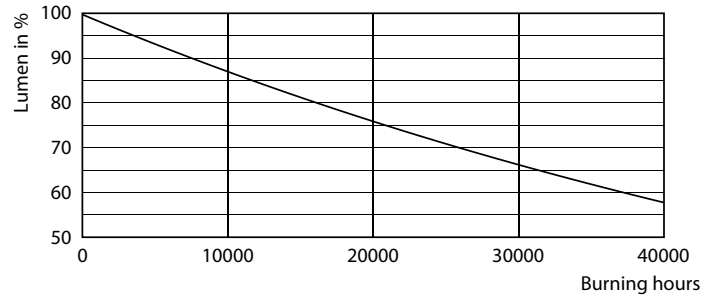
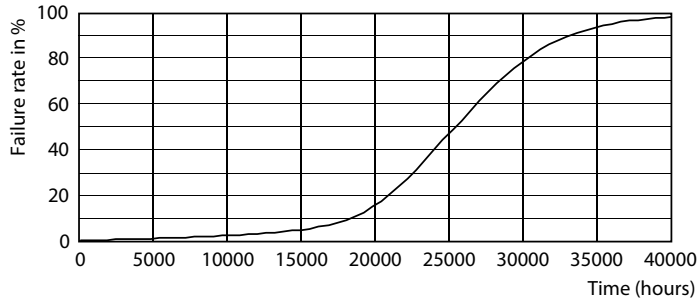
LEDspot 7.8W GU5.3 MR16 940 25D DIM



LEDspot 7.8W GU5.3 MR16 940 25D DIM

# LED MR16

## Lifetime



LEDspot 7.8W GU5.3 MR16 927 10D DIM

LEDspot 7.8W GU5.3 MR16 927 10D DIM

