



MASTERColor CDM-Rm Elite Mini

MASTERColor CDM-Rm Elite Mini 20W/830 GX10 MR16 10D

The Elite family is at the very top of the MasterColor CDM range, and gives a unique combination of unbeatable light quality and consistent performance over lifetime, while keeping running costs low. The MasterColor DCM Elite MR16 combines the familiar compact shape of MR16 halogen lamps with the performance of ceramic metal halide MasterColor Elite lamps. Suited for accent/decorative lighting, general lighting and downlighting in retail applications; or for outdoor landscaping and architectural effects.

Warnings and Safety

- R "WARNING: These lamps can cause serious skin burn and eye inflammation from short wave ultraviolet radiation if outer envelope of the lamp is broken or punctured. Do not use where people will remain for more than a few minutes unless adequate shielding or other safety precautions are used. Certain lamps that will automatically extinguish when the outer envelope is broken or punctured are commercially available." This lamp complies with FDA radiation performance standard 21 CFR subchapter J. (USA:21 CFR 1040.30 Canada: SOR/DORS/80-381)

Product data

General Information	
Cap-Base	GX10 [GX10]
Operating Position	Universal [Universal]
Life to 5% Failures (Nom)	9000 h
Life To 10% Failures (Nom)	10000 h
Life to 20% Failures (Nom)	12000 h
Life to 50% Failures (Nom)	15000 h
ANSI Code HID	C156/O
Switching Cycle	1350X

Light Technical	
Color Code	830 [CCT of 3000K]
Beam Angle (Nom)	10 °
Beam Angle Technical (Nom)	9 °
Beam Angle Technical (Max)	11 °
Beam Angle Technical (Min)	7 °
Luminous Flux (Rated) (Min)	900 lm
Luminous Flux (Rated) (Nom)	980 lm
Luminous Intensity (Min)	10900 cd
Luminous Intensity (Nom)	14500 cd

MASTERCOLOR CDM-Rm Elite Mini

Beam Description	-
Lumen Maintenance 12000 h (Nom)	75 %
Lumen Maintenance 2000 h (Nom)	90 %
Lumen Maintenance 4000 h (Nom)	85 %
Chromaticity Coordinate X (Nom)	0.439
Chromaticity Coordinate Y (Nom)	0.403
Correlated Color Temperature (Nom)	3000 K
Luminous Efficacy (rated) (Nom)	49 lm/W
Color Rendering Index (Min)	81
Color Rendering Index (Nom)	84
LLMF At End Of Nominal Lifetime (Nom)	70 %
Luminous Flux in 90° Cone (Rated)	880 lm

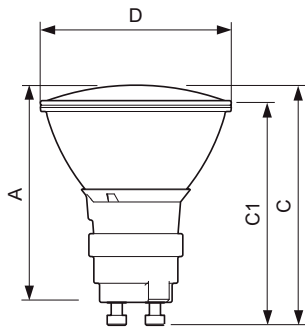
Operating and Electrical

Power (Rated) (Nom)	20.1 W
Re-Ignition Time (Min) (Max)	15 min
Warm Up Time to 60% Light (Nom)	120 s
Ignition Time (Max)	30 s
Voltage (Max)	100 V
Voltage (Min)	90 V
Voltage (Nom)	95 V

Controls and Dimming

Dimmable	No
Run-Up Time 90% (Max)	3 min

Dimensional drawing



CDM-Rm 20W/830 GX10 MR16 10D

Approval and Application

Energy Efficiency Label (EEL)	A
Mercury (Hg) Content (Nom)	3.5 mg
Energy Consumption kWh/1000 h	22 kWh

UV

Pet (Niosh) (Min)	8 h/500lx
Damage Factor D/fc (Max)	0.4

Luminaire Design Requirements

Reflector Neck Temperature (Max)	215 °C
----------------------------------	--------

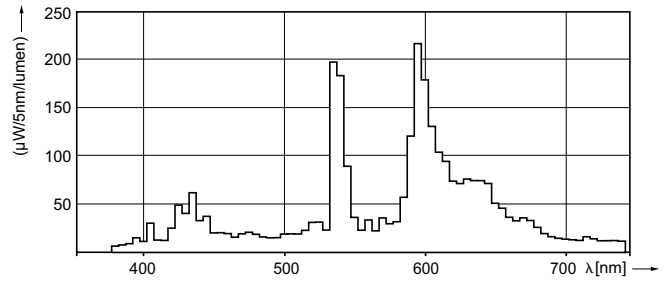
Product Data

Order product name	MASTERCOLOR CDM-Rm Elite Mini 20W/830 GX10 MR16 10D
EAN/UPC - Product	046677421656
Order code	421651
Numerator - Quantity Per Pack	1
Numerator - Packs per outer box	12
Material Nr. (12NC)	928191005315
Net Weight (Piece)	0.047 kg
ILCOS Code	MRS/UB-20/830-H-GX10-51/54.5/10

Product	D (max)	D	C (max)	C	C1 (max)	A (max)
MASTERCOLOR CDM-Rm	51 mm	50	65.4 mm	62.75	60.9 mm	59 mm
Elite Mini 20W/830		mm		mm		
GX10 MR16 10D						

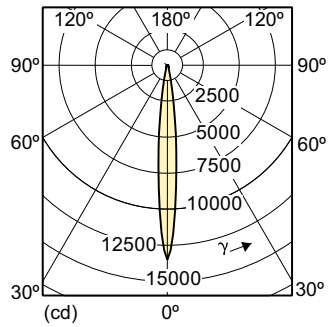
MASTERColor CDM-Rm Elite Mini

Photometric data



MASTERColour CDM-R Mini 20W /830

MASTERColour CDM-R Mini 20W /830



CDM-Rm 20W /830 10D

Lifetime



CDM-Rm 20W Life Expectancy /830

CDM-Rm 20W Lumen Maintenance /830 VBU

MASTERCOLOR CDM-Rm Elite Mini

