



# Twistline GU10

## BC50TWISTLINE GU10/FL 6/6

Bright, white accent light with superior energy savings Philips Twistline GU10 Philips Halogen Twistline MR16 with GU10 base provide bright white accent light. The twist and lock base enables easy installation and a secure fit. Suited for track and recessed lighting applications.

### Product data

General Information	
Cap-Base	GU10 [ GU10]
Philips Code	NA [ -]
Operating Position	Universal [ Universal]
Nominal Lifetime (Nom)	2000 h

Light Technical	
Beam Angle (Nom)	40 °
Luminous Intensity (Max)	400 cd
Correlated Color Temperature (Nom)	2800 K
Color Rendering Index (Nom)	100

Operating and Electrical	
Power (Rated) (Nom)	50 W
Starting Time (Nom)	0.0 s
Voltage (Nom)	120 V

Controls and Dimming	
Dimmable	Yes

Mechanical and Housing	
Bulb Finish	Clear

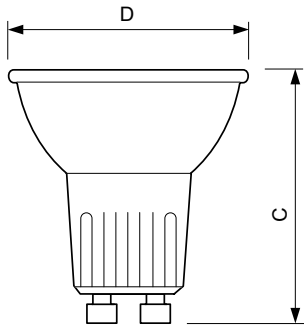
Approval and Application	
Energy Efficiency Label (EEL)	Not applicable

Product Data	
Order product name	BC50TWISTLINE GU10/FL 6/6
EAN/UPC - Product	50046677213461
Order code	213462
Numerator - Quantity Per Pack	1
Numerator - Packs per outer box	6
Material Nr. (12NC)	924712536386
Net Weight (Piece)	0.008 kg

## Twistline GU10

### Dimensional drawing



TWIST Alu 50W GU10 120V 40D

Product	D (max)	C (max)
BC50TWISTLINE GU10/FL 6/6	50.7 mm	47.5 mm

