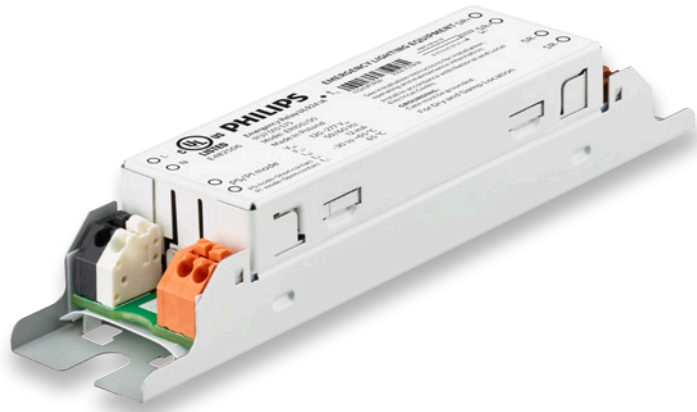


PHILIPS

UL924
Emergency relay

ER100/00



Specification Sheet

ER100/00 UL924 Emergency relay

- Integrated in the luminaire.
- During emergency state the ER100/00 disables luminaire sensor control and forces luminaire to full light output.
- The ER100/00 is connected to mains power and to the SR+/SR- connection between the Xitanium SR Driver and the EasySense sensor.

ER100/00

Operation modes

Power Sensing mode (PS mode)

- The ER100/00 is connected to mains from normal power circuit.
- Driver in the luminaire must be connected to central emergency power circuit.
- When normal power fails, the EasySense sensor is disabled, the light level switches to full light output.

Power Interruption detection mode (PI Mode)

Note

PI mode is no longer compatible with UL924 as of May 2022.

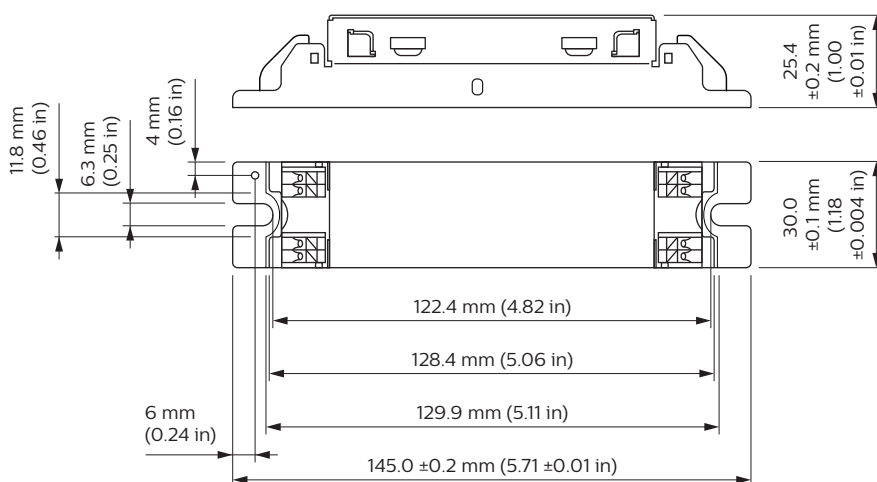
- The ER100/00 and driver in the luminaire are both connected to the same emergency power circuit.
- The ER 100/00 automatically senses short power interruption during transfer to generator power and enters emergency state. The sensor is disabled and the light level switches to full light output for 90 minutes.
- The ER100/00 does not enter emergency state if the power was interrupted for more than 10 seconds. The power start-up feature ensures that the sensor is enabled, and the luminaire can be commissioned after initial start-up. The 10 seconds limit corresponds to the maximum duration within which emergency lighting must be available after normal utility power loss according to NFPA-101.

Connection

A standard push-in connector for 0.75 to 1.5 mm² (AWG 18 to AWG 16) all connectors.

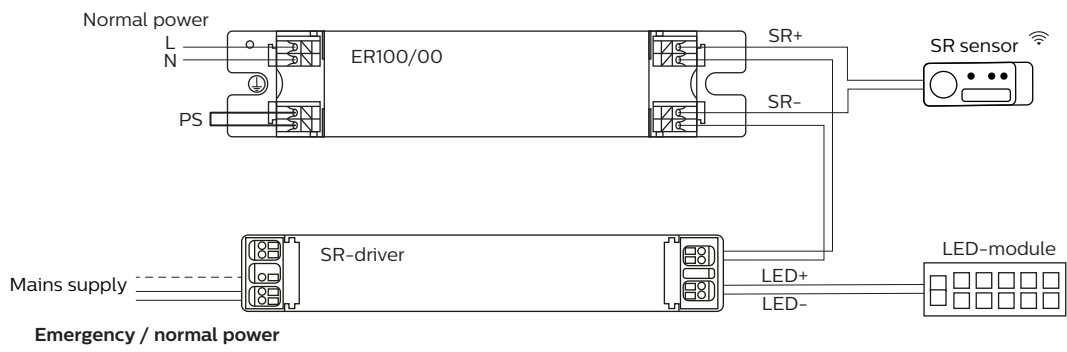
Dimensional drawings

The device must be installed in a luminaire housing.

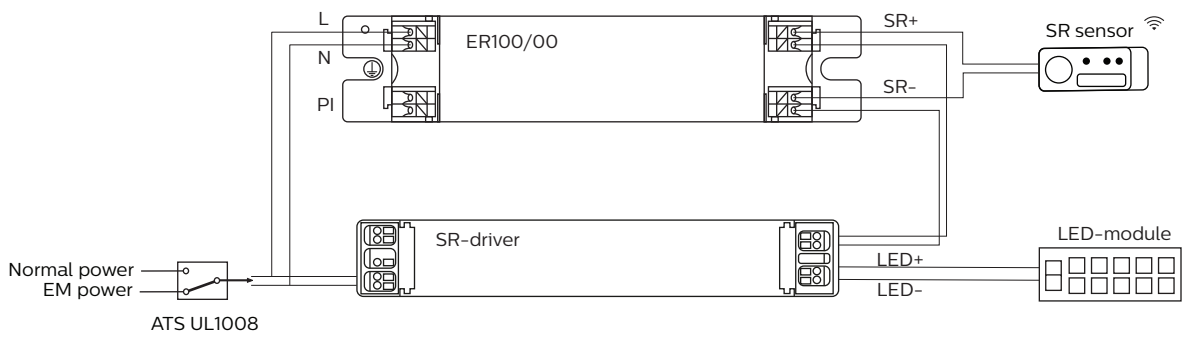


Wiring diagrams

PS mode



PI mode



Specifications

Physical data

Dimensions	145.0 x 30.0 x 25.4 mm (5.71 x 1.18 x 1.00 in)
Net weight	0.088 kg

Environmental data

Operating temperature	-30 to 65 °C (-22 to 149 °F)
Storage temperature	-30 to 85 °C (-22 to 185 °F)
Operating humidity	0 to 90%, non-condensing
Storage humidity	0 to 90%, non-condensing

Electrical data

Input voltage	120 to 277 V
Input frequency	50 to 60 Hz
Typical power consumption	0.4 W
Maximum power consumption	1.5 W

Compliance

FCC/IC part 15 compliance	Class B for 120 V, class A for 277 V
UL924 rating	Emergency Lighting and Power Equipment
IEEE C62.41-1991	Surge Voltages in Low-Voltage AC Power Circuits
Approbations	UL, EN 60730-1, 73/23/EEC, RoHS



Ordering data

Ordering name	Ordering number	EAN code level 1	EAN code level 3
ER100/00	9137 010 57513	046677563561	50046677563566

© 2021 Signify Holding. All rights reserved.
Specifications are subject to change without notice.
No representation or warranty as to the accuracy or completeness of the information included herein is given and any liability for any action in reliance thereon is disclaimed. Philips and the Philips Shield Emblem are registered trademarks of Koninklijke Philips N.V. All other trademarks are owned by Signify Holding or their respective owners.



www.philips.com/lighting