



# LED AR111

## 20AR111/LED/930/F25 DIM 12V 6/1FB

With an elegant new design, Philips MasterClass LED AR111 creates a brilliant visual effect. With excellent rendering of 90+ CRI and R9>50, colors stay vibrant and natural, enhancing the appeal of everything on display.

### Product data

General information	
Cap-Base	G53 [ G53]
EU RoHS compliant	Yes
Nominal Lifetime (Nom)	25000 h
Switching Cycle	50000
Technical Type	20-100W
Light technical	
Color Code	930 [ CCT of 3000K]
Beam Angle (Nom)	25°
Luminous Flux (Nom)	1200 lm
Luminous Intensity (Nom)	4000 cd
Color Designation	White (WH)
Correlated Color Temperature (Nom)	3000 K
Luminous Efficacy (rated) (Nom)	60.00 lm/W
Color Consistency	<4
Color Rendering Index (Nom)	91
LLMF At End Of Nominal Lifetime (Nom)	70 %
Operating and electrical	
Input Frequency	- Hz
Power (Rated) (Nom)	20 W
Lamp Current (Nom)	2400 mA
Wattage Equivalent	100 W

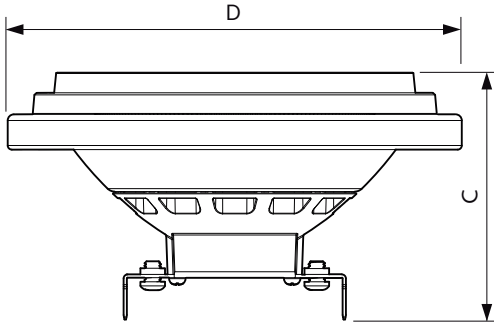
Starting Time (Nom)	0.5 s
Warm Up Time to 60% Light (Nom)	0.5 s
Power Factor (Nom)	0.7
Voltage (Nom)	ac electronic 12 V
Temperature	
T-Case Maximum (Nom)	80 °C
Controls and dimming	
Dimmable	Yes
Mechanical and housing	
Bulb Finish	Clear
Bulb Material	Plastic
Bulb Shape	AR111
Approval and application	
Suitable For Accent Lighting	Yes
Energy Consumption kWh/1000 h	- kWh
Energy Certifications	No
Product data	
Order product name	20AR111/LED/930/F25 DIM 12V 6/1FB
EAN/UPC - Product	046677552398

# LED AR111

Order code	552398
Numerator - Quantity Per Pack	1
Numerator - Packs per outer box	6
Material Nr. (12NC)	929002239904

Net Weight (Piece)	0.160 kg
--------------------	----------

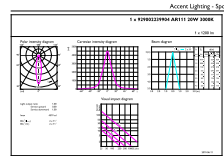
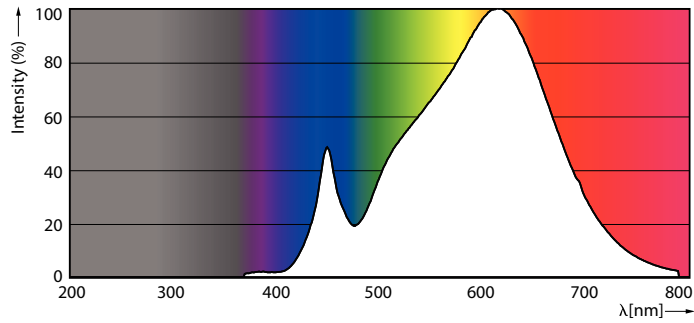
## Dimensional drawing



20AR111/LED/930/F25 DIM 12V 6/1FB

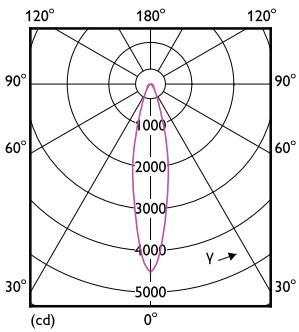
Product	D	C
20AR111/LED/930/F25 DIM 12V 6/1FB	111 mm	62 mm

## Photometric data



LEDspots 20W AR111 G53 930 15D

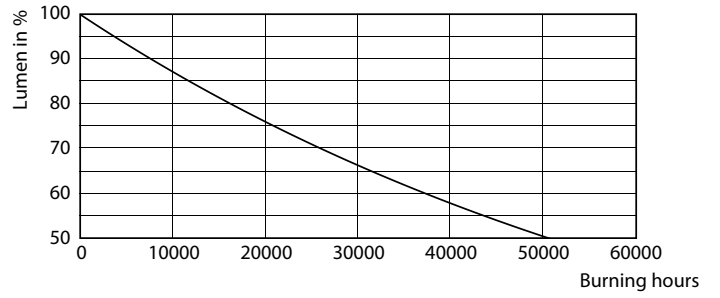
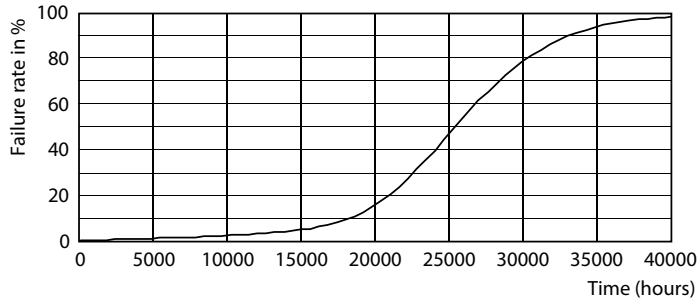
LEDspots 20W AR111 G53 930 25D



LEDspots 20W AR111 G53 930 25D

# LED AR111

## Lifetime



Life Expectancy Diagram

Lumen Maintenance Diagram

