

LED A15

3.8A15/PER/927-922/CL/G/E26/WGX1FB T20

Philips A15 LED Lamps offer energy saving ambience with an elegant effect. Their unique design provides light in all directions, giving lighting designers a long life alternative to standard incandescent sources.

Product data

| General Information | |
|------------------------|------------------------------------|
| Cap-Base | E26 [Single Contact Medium Screw] |
| EU RoHS compliant | Yes |
| Nominal Lifetime (Nom) | 15000 h |
| Switching Cycle | 20000X |
| Technical Type | 3.8-40W |

| Light Technical | |
|---------------------------------------|-------------------------------|
| Color Code | 927-922 [CCT of 2700K-2200K] |
| Luminous Flux (Nom) | 350 lm |
| Color Designation | Warm Glow(WG) |
| Correlated Color Temperature (Nom) | - K |
| Luminous Efficacy (rated) (Nom) | 92.00 lm/W |
| Color Consistency | <4 |
| Color Rendering Index (Nom) | 90 |
| LLMF At End Of Nominal Lifetime (Nom) | 70 % |

| Operating and Electrical | |
|---------------------------------|-------------|
| Input Frequency | 50 to 60 Hz |
| Power (Rated) (Nom) | 3.8 W |
| Lamp Current (Nom) | 42 mA |
| Wattage Equivalent | 40 W |
| Starting Time (Nom) | 0.5 s |
| Warm Up Time to 60% Light (Nom) | 0.5 s |

| | |
|--------------------|-------|
| Power Factor (Nom) | 0.75 |
| Voltage (Nom) | 120 V |

| Temperature | |
|----------------------|-------|
| T-Case Maximum (Nom) | 50 °C |

| Controls and Dimming | |
|----------------------|-----|
| Dimmable | Yes |

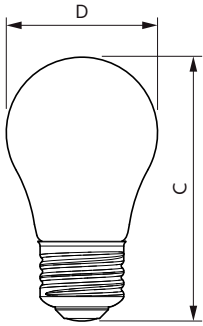
| Mechanical and Housing | |
|------------------------|---------------|
| Bulb Finish | Clear |
| Bulb Shape | A15 [A 15mm] |

| Approval and Application | |
|-------------------------------|-------|
| Energy Consumption kWh/1000 h | - kWh |

| Product Data | |
|---------------------------------|--|
| Order product name | 3.8A15/PER/927-922/CL/G/E26/WGX1FB T20 |
| EAN/UPC - Product | 046677549381 |
| Order code | 549386 |
| Numerator - Quantity Per Pack | 1 |
| Numerator - Packs per outer box | 10 |
| Material Nr. (12NC) | 929002208304 |
| Net Weight (Piece) | 0.020 kg |

LED A15

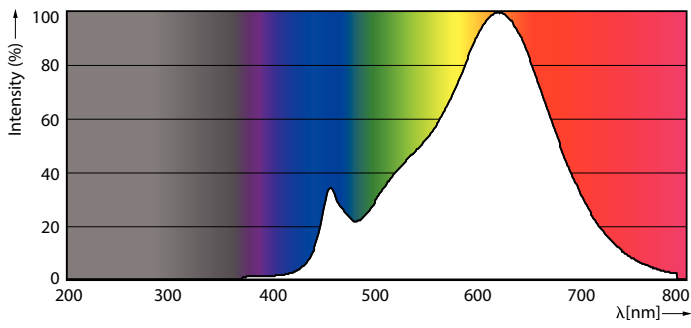
Dimensional drawing



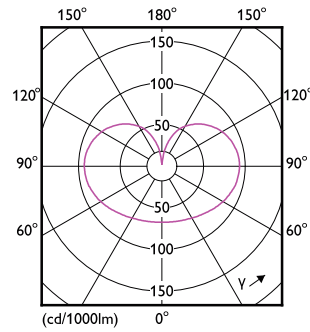
BulbA15120V3.8-40W350lm2700-2200KE26DCL

| Product | D | C |
|--|-------|-------|
| 3.8A15/PER/927-922/CL/G/E26/WGX1FB T20 | 47 mm | 86 mm |

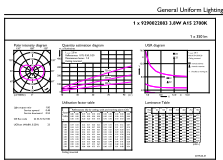
Photometric data



LEDbulb CL,FR 927



LEDbulb 927 FR,CL



General Uniform Lightness 1 x 40W/LED/3.8W A15 2700K Page 1/1

LEDbulb 40W E26 A15 927 CL

LED A15

Lifetime



15K LED

15K LMP

