



# LED PAR30 S/L

## 12PAR30S/EXPERTCOLOR/F40/927/DIM

Philips LED spots with a single optic beam, provide a clean beam that's free from shadows with beam angles from 15 and 40 degrees to suit every general lighting application.

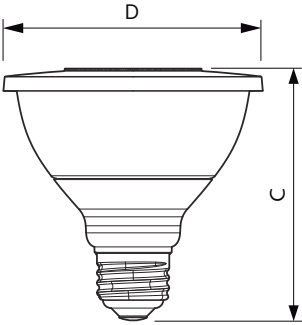
### Product data

General Information		Starting Time (Nom)	
Cap-Base	E26 [ Single Contact Medium Screw]		0.5 s
EU RoHS compliant	Yes	Warm Up Time to 60% Light (Nom)	0.5 s
Nominal Lifetime (Nom)	40000 h	Power Factor (Nom)	0.9
Switching Cycle	50000X	Voltage (Nom)	120 V
Technical Type	12-75W		
Light Technical		Temperature	
Color Code	927	T-Case Maximum (Nom)	90 °C
Beam Angle (Nom)	40 °		
Luminous Flux (Nom)	850 lm	Controls and Dimming	
Luminous Intensity (Nom)	1800 cd	Dimmable	Yes
Color Designation	Warm White (WW)		
Correlated Color Temperature (Nom)	2700 K	Mechanical and Housing	
Luminous Efficacy (rated) (Nom)	70.00 lm/W	Bulb Shape	PAR30S [ PAR 3.75 inch/95mm Short]
Color Consistency	<6		
Color Rendering Index (Nom)	95	Approval and Application	
LLMF At End Of Nominal Lifetime (Nom)	70 %	Suitable For Accent Lighting	Yes
		Energy Consumption kWh/1000 h	- kWh
Operating and Electrical		Product Data	
Input Frequency	60 Hz	Order product name	12PAR30S/EXPERTCOLOR/F40/927/DIM
Power (Rated) (Nom)	12 W	EAN/UPC - Product	046677470913
Lamp Current (Nom)	120 mA	Order code	470914
Wattage Equivalent	75 W	Numerator - Quantity Per Pack	1
		Numerator - Packs per outer box	6

# LED PAR30 S/L

Material Nr. (12NC)	929001340404
Net Weight (Piece)	0.220 kg

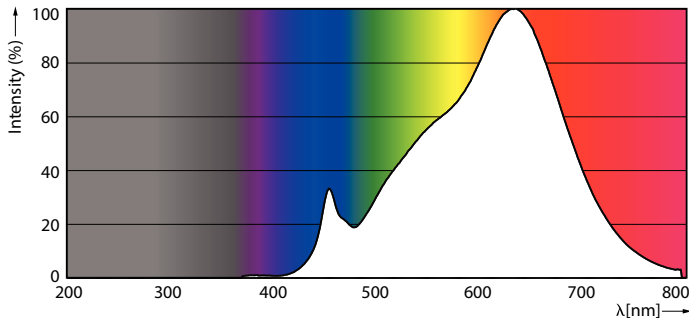
## Dimensional drawing



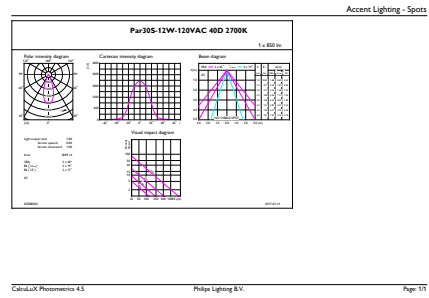
PAR30S 12-90W 850lm 40D 2700K E26 D

Product	D	C
12PAR30S/EXPERTCOLOR/F40/927/DIM	94.8 mm	116.1 mm

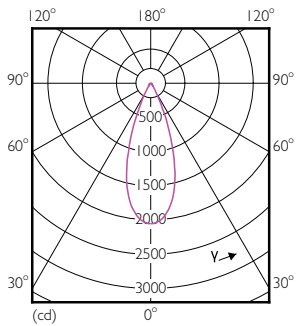
## Photometric data



PAR38 120V 17-90W 1150lm 8D 2700K E26 D



PAR30S 12-90W 850lm 40D 2700K E26 D



PAR30S 12W 850lm 40D 2700K E26

# LED PAR30 S/L

## Lifetime



ExpertColor PAR38 30S 30L Dim 120V Life Expectancy Diagram

ExpertColor PAR38 30S 30L Dim 120V Lumen Maintenance Diagram

