



LED PAR30 S/L

12PAR30S/EXPERTCOLOR/F25/927/DIM

Philips LED spots with a single optic beam, provide a clean beam that's free from shadows with beam angles from 15 and 40 degrees to suit every general lighting application.

Product data

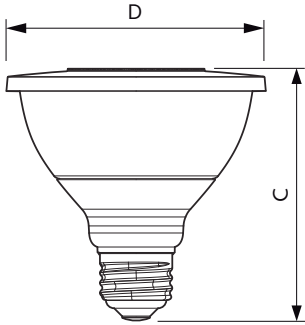
General information		Wattage Equivalent	
Cap-Base	E26 [Single Contact Medium Screw]		75 W
EU RoHS compliant	Yes	Starting Time (Nom)	0.5 s
Nominal Lifetime (Nom)	40000 h	Warm Up Time to 60% Light (Nom)	0.5 s
Switching Cycle	50000	Power Factor (Nom)	0.9
Technical Type	12-75W	Voltage (Nom)	120 V
Tier	MasterClass	Temperature	
Light technical		T-Case Maximum (Nom)	90 °C
Color Code	927	Controls and dimming	
Beam Angle (Nom)	25 °	Dimmable	Yes
Luminous Flux (Nom)	850 lm	Mechanical and housing	
Luminous Intensity (Nom)	4200 cd	Bulb Finish	Clear
Color Designation	Warm White (WW)	Bulb Material	Plastic
Correlated Color Temperature (Nom)	2700 K	Bulb Shape	PAR30S [PAR 3.75 inch/95mm Short]
Luminous Efficacy (rated) (Nom)	70.00 lm/W	Approval and application	
Color Consistency	<6	Suitable For Accent Lighting	Yes
Color Rendering Index (Nom)	95	Energy Consumption kWh/1000 h	- kWh
LLMF At End Of Nominal Lifetime (Nom)	70 %	Energy Certifications	Energy Star
Operating and electrical		Product data	
Input Frequency	60 Hz	Order product name	12PAR30S/EXPERTCOLOR/F25/927/DIM
Power (Rated) (Nom)	12 W		
Lamp Current (Nom)	120 mA		

LED PAR30 S/L

EAN/UPC - Product	046677470906
Order code	470906
Numerator - Quantity Per Pack	1
Numerator - Packs per outer box	6

Material Nr. (12NC)	929001340304
Net Weight (Piece)	0.220 kg

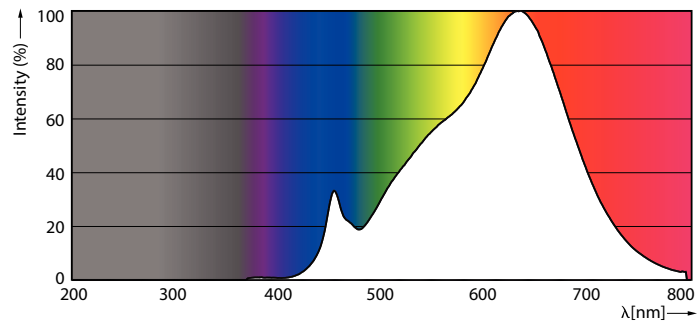
Dimensional drawing



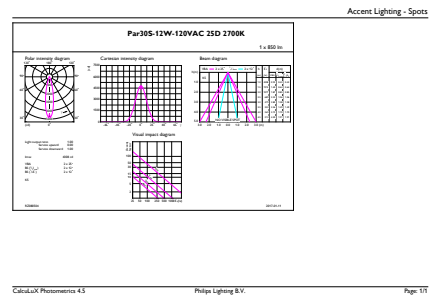
12PAR30S/EXPERTCOLOR/F25/927/DIM

Product	D	C
12PAR30S/EXPERTCOLOR/F25/927/DIM	94.8 mm	93.1 mm

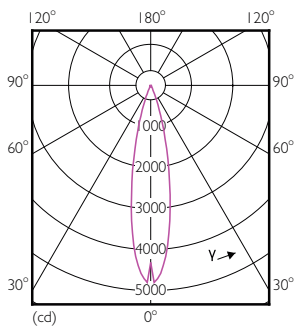
Photometric data



PAR38 120V 17-90W 1150lm 8D 2700K E26 D



PAR30S 120V 12-90W 850lm 25D 2700K E26 D



PAR30S 12W 850lm 25D 2700K E26

LED PAR30 S/L

Lifetime



ExpertColor PAR38 30S 30L Dim 120V Life Expectancy Diagram

ExpertColor PAR38 30S 30L Dim 120V Lumen Maintenance Diagram

