



A new age in outdoor city lighting

CosmoPolis CosmoWhite

Philips Cosmopolis Outdoor Lighting System simplifies outdoor lighting with the combination of a miniature lamp and an optimized electronic ballast system.

Benefits

- Energy efficiency and long, dependable service, not only to reduce your lighting cost of ownership but also to address environmental concerns.
- Improved visibility and enhanced ambience to attract people back into your city centers at night.
- Miniaturization enables unobtrusive lighting and exciting new luminaire designs.

Features

- Crisp, white light.
- Rated average life of 30,000 hours*
- Compact system - allows for smaller, lightweight luminaires, using light-duty poles, and uses less raw materials to conserve resources.
- Increased luminous efficacy.
- Available in 60, 90 and 140 watts.
- * Rated average life is the life obtained, on the average, from large representative groups of lamps in laboratory tests under controlled conditions at 10 or more operating hours per start. It is based on survival of at least 50% of the lamps and allows for individual lamps or groups of lamps to vary considerably from the average. 30,000 hours rated average life at horizontal application. For vertical application, rated average life for 90W and 140W is 20,000 hours, while rated average life for 60W is 15,000 hours.

Application

- Ideal for indoor and outdoor applications of industrial facilities and warehouses
- Lamp optimized for horizontal position; when positioned vertically, the lifetime specification is much lower (as much as - 40%)

CosmoPolis CosmoWhite

Warnings and Safety

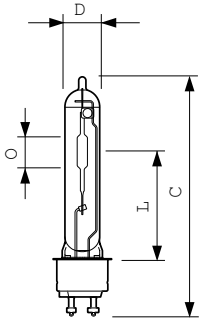
- R "WARNING: These lamps can cause serious skin burn and eye inflammation from short wave ultraviolet radiation if outer envelope of the lamp is broken or punctured. Do not use where people will remain for more than a few minutes unless adequate shielding or other safety precautions are used. Certain lamps that will automatically extinguish when the outer envelope is broken or punctured are commercially available." This lamp complies with FDA radiation performance standard 21 CFR subchapter J. (USA:21 CFR 1040.30 Canada: SOR/DORS/80-381)

Versions



CPO-TW 140W /728 PGZ12

Dimensional drawing



Product	D (max)	D	O	L	C (max)
CPO-TW 60W/728 White PGZ12	20 mm	19 mm	14 mm	59 mm	132 mm
CPO-TW 90W/728 White PGZ12	20 mm	19 mm	18 mm	66 mm	143 mm
CPO-TW 140W/728 White PGZ12	20 mm	19 mm	22 mm	66 mm	150 mm

CosmoPolis CosmoWhite

Approval and Application

Energy Efficiency Label (EEL) A+

Controls and Dimming

Dimmable Yes

Operating and Electrical

Re-Ignition Time (Min) (Max) 900 s

General Information

Cap-Base PGZ12

LSF 12000 h Rated 99 %

LSF 2000 h Rated 99 %

LSF 4000 h Rated 99 %

LSF 6000 h Rated 99 %

LSF 8000 h Rated 99 %

Operating Position Universal

Light Technical

Color Code 728

Color Designation White (WH)

Mechanical and Housing

Bulb Finish Clear

Bulb Shape T6

Approval and Application

Order Code	Full Product Name	Energy Consumption kWh/1000 h (Nom)	Mercury (Hg) Content
157313	CPO-TW 60W/728 White PGZ12	66 kWh	2.0 mg
406041	CPO-TW 90W/728 White PGZ12	99 kWh	3.0 mg
157321	CPO-TW 140W/728 White PGZ12	154 kWh	3.9 mg

Operating and Electrical

Order Code	Full Product Name	Voltage (Max)	Voltage (Min)	Voltage (Nom)	Power (Rated) (Nom)
157313	CPO-TW 60W/728 White PGZ12	99 V	85 V	92 V	60.0 W
406041	CPO-TW 90W/728 White PGZ12	98 V	86 V	92 V	90.0 W

Order Code	Full Product Name	Voltage (Max)	Voltage (Min)	Voltage (Nom)	Power (Rated) (Nom)
157321	CPO-TW 140W/728 White PGZ12	100 V	88 V	94 V	141.0 W

General Information (1/2)

Order Code	Full Product Name	Life To 10% Failures (Nom)	Life To 20% Failures (Nom)	Life To 50% Failures (Nom)	Life To 5% Failures (Nom)
157313	CPO-TW 60W/728 White PGZ12	24000 h	27000 h	32000 h	21500 h
406041	CPO-TW 90W/728 White PGZ12	24000 h	27000 h	32000 h	21500 h

Order Code	Full Product Name	Life To 10% Failures (Nom)	Life To 20% Failures (Nom)	Life To 50% Failures (Nom)	Life To 5% Failures (Nom)
157321	CPO-TW 140W/728 White PGZ12	20000 h	24000 h	30000 h	18000 h

General Information (2/2)

CosmoPolis CosmoWhite

Order Code	Full Product Name	LSF 16000 h Rated	LSF 20000 h Rated	LSF 24000 h Rated	LSF 30000 h Rated
157313	CPO-TW 60W/728 White PGZ12	99 %	97 %	90 %	63 %
406041	CPO-TW 90W/728 White PGZ12	99 %	97 %	90 %	63 %

Order Code	Full Product Name	LSF 16000 h Rated	LSF 20000 h Rated	LSF 24000 h Rated	LSF 30000 h Rated
157321	CPO-TW 140W/728 White PGZ12	97 %	90 %	80 %	50 %

Luminaire Design Requirements

Order Code	Full Product Name	Bulb Temperature (Max)
157313	CPO-TW 60W/728 White PGZ12	400 °C
406041	CPO-TW 90W/728 White PGZ12	470 °C

Order Code	Full Product Name	Bulb Temperature (Max)
157321	CPO-TW 140W/728 White PGZ12	550 °C

Light Technical (1/3)

Order Code	Full Product Name	Chromaticity Coordinate X (Nom)	Chromaticity Coordinate Y (Nom)	Color Rendering Index (Min)	Color Rendering Index (Nom)
157313	CPO-TW 60W/728 White PGZ12	453	405	70	73
406041	CPO-TW 90W/728 White PGZ12	449	412	67	70

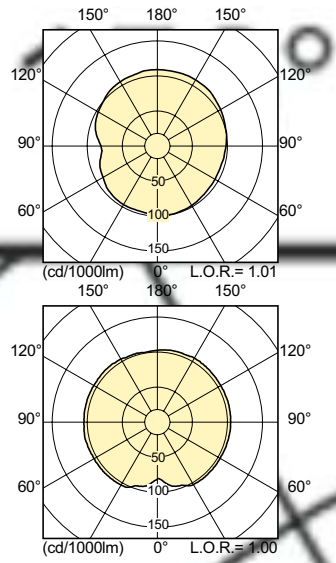
Order Code	Full Product Name	Chromaticity Coordinate X (Nom)	Chromaticity Coordinate Y (Nom)	Color Rendering Index (Min)	Color Rendering Index (Nom)
157321	CPO-TW 140W/728 White PGZ12	440	413	-	72

Light Technical (2/3)

Order Code	Full Product Name	LLMF 12000 h Rated	LLMF 16000 h Rated	LLMF 2000 h Rated	LLMF 20000 h Rated	LLMF 24000 h Rated	LLMF 30000 h Rated	LLMF 4000 h Rated	LLMF 6000 h Rated	LLMF 8000 h Rated
157313	CPO-TW 60W/728 White PGZ12	89 %	87 %	92 %	86 %	84 %	82 %	90 %	90 %	90 %
406041	CPO-TW 90W/728 White PGZ12	92 %	91 %	94 %	90 %	-	-	93 %	93 %	93 %
157321	CPO-TW 140W/728 White PGZ12	89 %	88 %	94 %	87 %	86 %	-	93 %	92 %	91 %

Light Technical (3/3)

Order Code	Full Product Name	Luminous Efficacy (rated) (Nom)	Luminous Flux (Rated) (Nom)	Ratio Scotopic/Photopic Lumens
157313	CPO-TW 60W/728 White PGZ12	120 lm/W	7200 lm	1.15
406041	CPO-TW 90W/728 White PGZ12	120 lm/W	10800 lm	1.15
157321	CPO-TW 140W/728 White PGZ12	125 lm/W	17600 lm	1.30



120°

90°

