

PHILIPS

CityTouch

Connector node



Specification Sheet

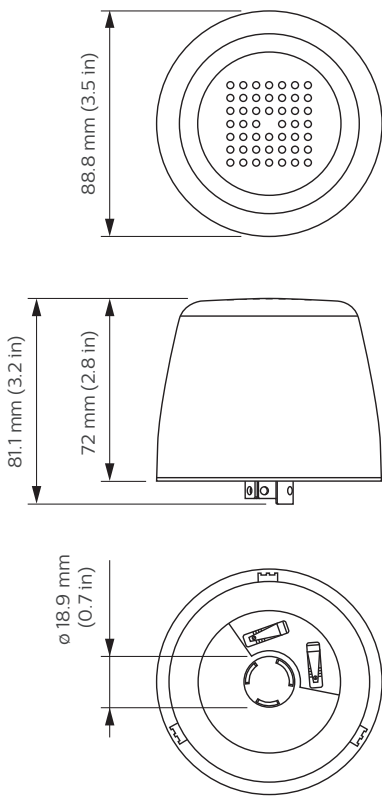
LLC7260 CityTouch Connector Node LV

The CityTouch connector node can be plugged into a luminaire with a 3, 5 or 7 pin Nema socket to connect it to the CityTouch software system. The system allows for remote management of outdoor luminaires.

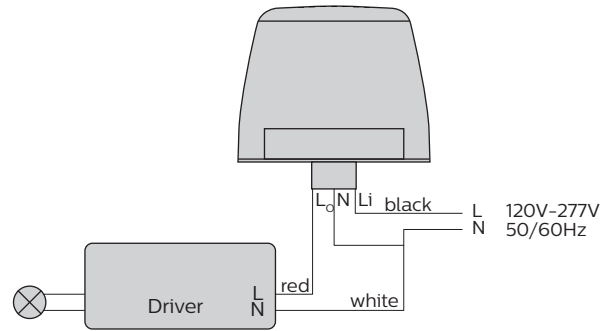
LLC7260

- The Connector node will control outdoor luminaires by switching the mains and provides dimming by means of a digital (DALI) or analog (0-10V) interface. The node will monitor and communicate the operational status of the luminaire.
- The Connector node uses cellular communication to exchange data with the CityTouch system. Through the on-board GPS (Global Positioning system) the node determines location and sends it to the CityTouch system. No commissioning is required.
- The integrated light sensor allows lux level switching. The lux level to switch on and off the luminaire can be adjusted remotely. The node has provisions to prevent day burning due to dirt.
- The Connector node may be connected to any luminaire with a Nema receptacle conform ansi C36.10 or c136.41 standard.

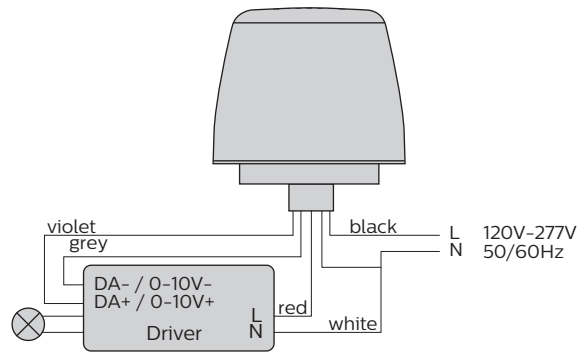
Dimensional drawing



Wiring diagrams



ANSI C136.10



ANSI C136.41

Specifications

General Characteristics

Mains voltage	120 – 277 VAC +10% -15%
Mains frequency	50/60 Hz ±5%
Rated current	4A @ 120 VAC or 3A @ 277 VAC for EL drivers 6A @ 120 VAC or 3.6A @ 277 VAC for EM ballasts
Plug	Compatible with ANSI C136.10 and ANSI C136.41 3, 5 and 7 pin.
Surge protection	ANSI C136.10 6kV / 3kA

Power Consumption

Stand-by wattage	<1.7 W
Energy Meter accuracy	2% according EN50470-3 class A

Control Interface

Control voltage	0 – 10 VDC / DALI
Load capacity	3 lamp / LED drivers
Protection	Interface is Mains voltage and short circuit proof
Insulation	Class I, Basic insulation
DALI voltage	12.0 – 20.5 VDC (12.5 VDC typical)
DALI current	8 – 250 mA (12 mA typical)

Connectivity

UMTS	850 / 1900 / 2100 MHz
GPRS	850 / 1900 MHz

Auto Location

Position System	Build in GPS
Location accuracy	CEP50 ≤ 2.5 m / 8 ft

Photocontrol

Turn on/off range	5 – 200 Lux
On Factory setting	16 Lux

Off Factory setting	16 Lux
Remote configurable	

Temperature Characteristics

Operating temperature	-40° C – +70° C (-40° F – 158° F) ambient -40° C – +80° C (-40° F – 176° F) storage
Relative humidity	5 % to 95 %

Product dimensions

Height	72 mm (2.83 in)
Diameter	88.8 mm (3.50 in)
Net weight per piece	0.23 kg (8.11 oz)

Housing

Glow wire test	UL94V-0
Protection class	IP54, IP class of luminaire unchanged
Color	Light Grey RAL7035

Compliance

Marking	FCC, cULus, RCM, NOM
Others	EN 61347-2-11:2001 EN 61347-1:2015 ETSI EN 301 908-1 V7.1.1 RoHS Directive 2011/65/EU RoHSUpcoming Directive (EU) 2015/863
FCC	FCC47 Part 15B Class A FCC47 CFR 22H, FCC47 CFR 24E FCC47 Part 1.1310 / IEEE C95.1
NOM	NOM-003-SCFI-2014
IFT	Mexico Instituto Federal de Telecomunicaciones No. de Homologación: RTIPHLL16-1692
RCM	AS/CA S042-2015



Ordering Data

Type	Order code	UPC1	UPC3
LLC7260 CityTouch Connector Node LV	9137 003 63303	781087139578	50781087139573

made in China

© 2019 Signify Holding. All rights reserved. Specifications are subject to change without notice. No representation or warranty as to the accuracy or completeness of the information included herein is given and any liability for any action in reliance thereon is disclaimed. Philips and the Philips Shield Emblem are registered trademarks of Koninklijke Philips N.V. All other trademarks are owned by Signify Holding or their respective owners.



www.philips.com/lighting